



IN USA, Inc.
100 Morse Street • Norwood, MA 02062 • USA
Tel: 800-798-4029 • 781-444-2929 • Fax: 781-444-9229
www.inusacorp.com

Model IN-2000 Analyzer

SINGLE and MULTI-POINT AMBIENT OZONE ANALYZER

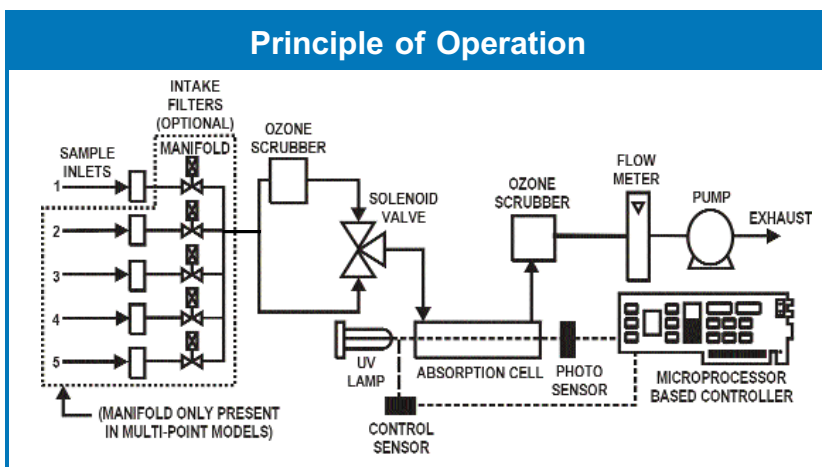


IN USA's model IN-2000 measures ambient ozone levels to monitor ozone leaks in the workplace environment. Above certain concentration levels, ozone is a toxic and corrosive gas. Therefore, the need to monitor worker exposure to ozone to meet OSHA Requirements (see attached table). The model IN-2000 is typically used in areas around ozone generators, gas chambers, gas delivery systems, and semiconductor tools. In addition, it is also used to monitor ozone levels in vent gas, post-destruct or pre-destruct units with a sample conditioning system.

- Microprocessor controlled
- UV absorption technique
- Measures up to 5 sample points
- Built-in field programmable sequencer
- Dedicated 4-20 mA output per channel
- Isolated Analog Outputs
- Dual alarms per channel
- Highly stable Optical System

Specifications **IN-2000 Analyzer**

Specifications subject to change without notice



Measuring Principle: Absolute determination using UV absorption

Number of Sample Points: 1, 3 or 5. Multichannel units have a built-in manifold and programmable sequencer

Measuring Ranges: 0-1 ppm, 0-10 ppm, 1-100 ppm and, 0-1000 ppm

Display Units: ppm standard

Precision:
 0.005 ppm (range 0.001-1.000)
 0.01 ppm (range 0.01-10.00)
 0.1 ppm (range 0.1-100.0)
 1 ppm (range 0-1000)

Linearity: Better than 99% throughout range

Resolution:
 0.001 ppm (range 0-1 ppm)
 0.01 ppm (range 0-10 ppm)

Zero Drift: Less than 0.005 ppm per month

Calibration: Against UV photometer traceable to the U.S. NIST

Compliance: CE

Diagnostic Features: Continuous internal diagnostics with error messages & instrument error relay

Readout: 1 line by 20 character alphanumeric vacuum fluorescent display

Analog Outputs: Isolated 4-20 mA per channel - Optional

Digital Outputs: RS-232 interface - Optional
 RS-422 interface - Optional

Standard Alarms: Two field programmable alarms with form C relay contacts (5A 250 VAC resistive) per channel - Optional

Supply Voltage: 100-240 VAC 50/60 Hz

Sample Flow Rate: 1.0 to 2.0 l/min nominal. Built-in sampling pump and throttling valve

Connections: 1/4" compression fittings

Configurations: NEMA 4X / IP65 Wall Mount, 19" Rack or Bench Mount

U.S. OSHA Requirements

TLV-TWA Threshold Limit Value-Time Weighted Average	0.1 ppm _v	The maximum continuous ozone concentration to which an individual can be exposed during a normal 8 hour day / 40 hour work week without adverse effects.
TLV-STEL Threshold Limit Value-Short-Term Exposure Limit	0.3 ppm _v	The maximum intermittent ozone concentration to which an individual can be exposed (provided that TLV-TWA is not exceeded) for no longer than 15 minutes and no more than 4 times per day (with at least 1 hour between exposures.)



IN USA, Inc. • 100 Morse Street, Norwood, MA 02062 • USA
 1-800-798-4029 • Tel: 781-444-2929 • Fax: 781-444-9229 • Website: www.inusacorp.com

© 2007 IN USA, INC. - ALL RIGHTS RESERVED, COMPANY CONFIDENTIAL - DO NOT REPRODUCE

Rev. 9328-P